



CPL™ 12M Loudspeaker System

Product
Specifications

SPECIFICATIONS

Crest Audio® CPL™ 12M

The new CPL two-way enclosure series features high power ratings with custom components, a sleek look and a unique, snap-in metal grille. The CPL 12M is a two-way system featuring tweeter protection, 1.4" diaphragm horn-loaded tweeter, and one high-performance 12" woofer. It is rated at 350 Watts continuous and 700 Watts peak. This lightweight speaker system is ideal for smaller venues where space is at a premium. Connections include a NL-4 four-pin jack, The CPL Series is available in black.

*Features

- Two-way sound reinforcement enclosure
- Designed for permanent installations
- Premium 12" woofer
- 1.4" diaphragm horn-loaded tweeter
- Tweeter protection included
- Available in black
- Continuous power: 350 W
Peak power: 700 W peak power handling
- 58Hz-18kHz
- 95 dB at 1W/1m
- 8 Ohms
- NL4 4-pin twist-lock block
- Stand Mount Adaptor
- Handle on top of rear panel
- Four feet for stage use

Specification:

- Type: Two-way passive crossover speaker system
Continuous power: 350W
Peak power: 700W
- Impedance: 8 OHMS
- Sensitivity (1W@1m): 95 dB
- Maximum sound pressure level (1 meter): 120 dB @350W (126 dB @1400W Peak)
- Frequency response, 1 meter on-axis, swept-sine in anechoic environment: 58 Hz—18 kHz, +/-6 dB
- Nominal coverage pattern (-6 dB): 90° H×60° V
- Transducer complement: 1 x 1.4" (34mm VC) diaphragm, 1" exit
1 x 12" woofer (75.5mm VC)
- Input connections: NL4 4-pin jack x 1 PIN 1+=(+)POSITIVE, PIN 1-=(-)NEGATIVE PIN 2+ and PIN 2-,NC
- Material: 15mm (0.6") plywood
- Surface treatment: Black textured polyester paint
- Dimensions: H 310mm x W 633 mm x D 513 mm
H 12.20" x W 24.92" x D 20.19"
(Note: height is with feet included)
H 27.9" x W 23.42" x D 14.96"
- Net Weight: 21.5kg (47.3 lbs.)

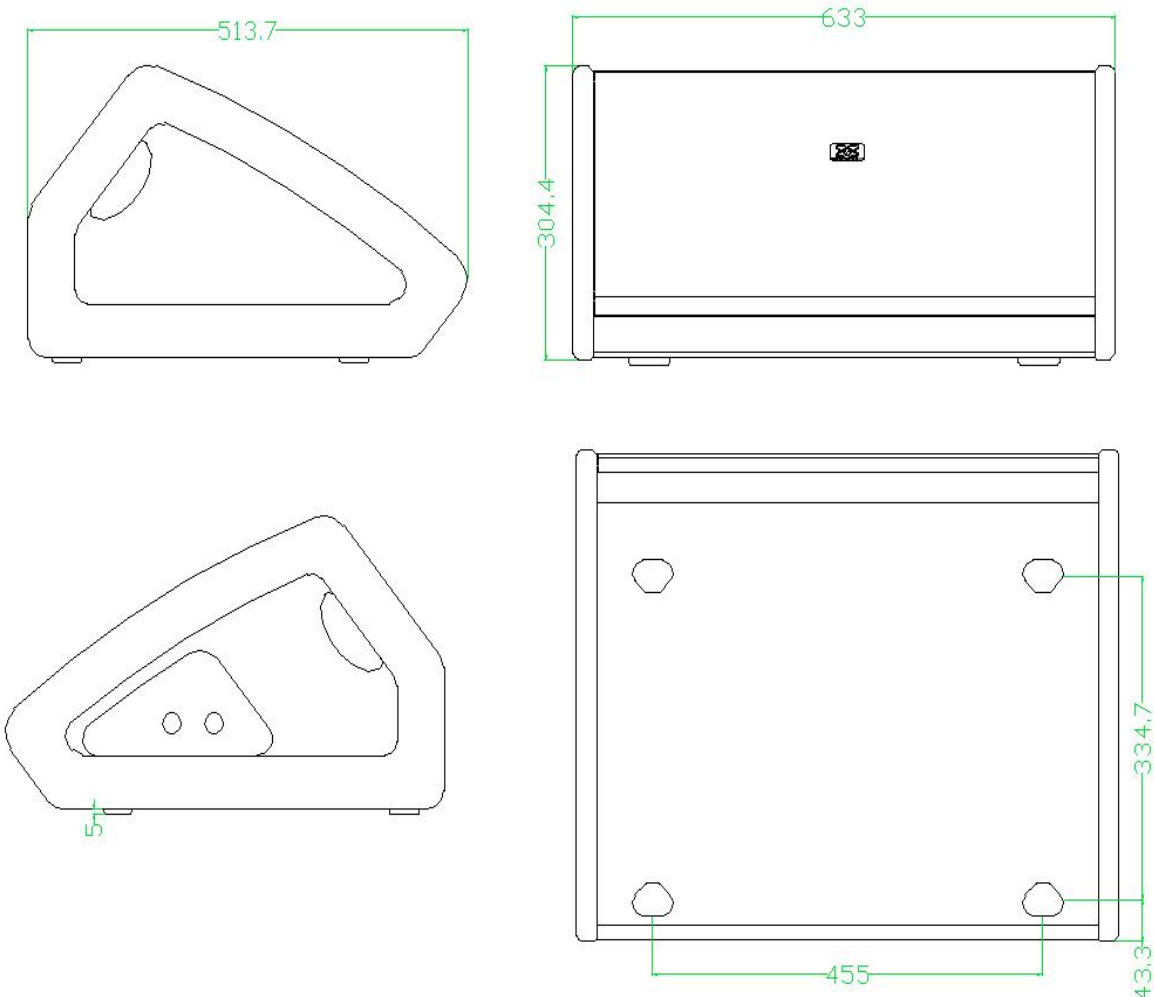
Flying or Mounting the CPL Enclosure

⚠ CAUTION: Before attempting to suspend this speaker, consult with a certified structural engineer. Speaker can fall from improper suspension, resulting in serious injury and property damage. Do not suspend or mount any other product or device from this enclosure! Use only the correct mating hardware. All associated rigging is the responsibility of others. Maximum enclosure angle 30 degrees.

Whenever possible, in addition to the nominal primary mounting method, use a suitable safety chain or wire rope attached to one of the other groups of fly point inserts, and firmly attached to a suitable structural member as indicated by a certified structural engineer.

We recommend the use of Thread-locker at the insert point bolts, so the bolts cannot vibrate loose. Never transport the cabinet using the array bracket or other mounting brackets as a structural member, while the cabinet is mounted on an array bracket or other mounting bracket and unsupported otherwise, as this may unduly stress the mounting inserts.

This Crest Audio® loudspeaker should be suspended overhead only in accordance with the procedures and limitations specified in the User's Manual and possible manual update notices. This system should be suspended with certified rigging hardware by an authorized rigging professional and in compliance with local, provincial or national suspension ordinances.





www.peaveycommercialaudio.com

Warranty registration and information for U.S. customers available online at
www.peaveycommercialaudio.com/warranty
or use the QR tag below



Features and specifications subject to change without notice.

Crest Audio 5022 HWY 493 N. Meridian, MS 39305 (601) 483-5365 FAX (601) 486-1278



Logo referenced in Directive 2002/96/EC Annex IV
(OJ(L)37/38, 13.02.03 and defined in EN 50419: 2005
The bar is the symbol for marking of new waste and
is applied only to equipment manufactured after
13 August 2005